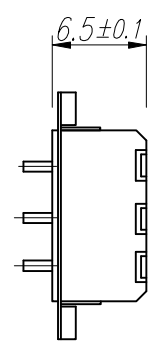
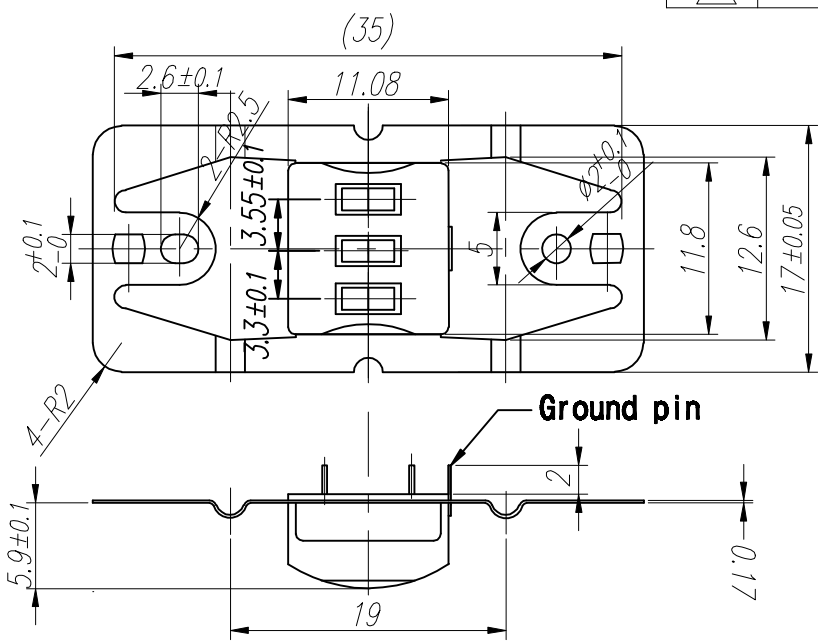
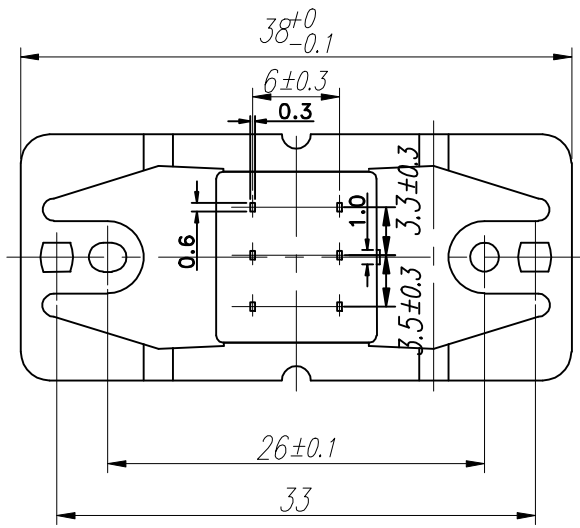


SYM △	ECN NO	DATE	APPRVAL
----------	--------	------	---------



track3  
track2  
track1



### Specification

Inductance	mH	28±30%	1KHz	100 μA
DC Resistance	Ω	140±25%	DC	at 20°
Recording Density	BPI	210		
Tape Speed	IPS	7.5	Measuring Tape	
Read Output	mVp-p	30±25%	PM50-78	
Insulation R	MΩ	50	250V DC	
Core Earth	Ω	100 Max	100 μA	
Gap Length	μm	12.5±6		
Track Width	mm	1.5±0.1		
Head Life	Times	500,000Min		
Spring thickness	mm	0.17		
Welding height	mm	6.5/5.9		

UNLESS OTHERWISE NOTED:  
1) DIMENSIONS ARE IN MILLIMETERS  
2) TOLERANCES:  
.X ± .1  
.XX ± .05  
ANGLES ± 0°~30'

SCALE	4/1	MM	REV	A
	CORE MATERIAL: PERMALLOY			
MODEL	Triple spring head (6.5/5.9)			
DWG. NO				
DWG	DGN	CHK	APP	
ZHC				

3 TRK READ HEAD

**JINSUNG DIGITECH**